



# International Journal of Engineering Research and Science & Technology

ISSN : 2319-5991  
Vol. 6, No. 1  
February 2017



[www.ijerst.com](http://www.ijerst.com)

Email: [editorijerst@gmail.com](mailto:editorijerst@gmail.com) or [editor@ijerst.com](mailto:editor@ijerst.com)

**Research Paper**

# HYBRID ENERGY (WIND-SOLAR) FOR RURAL (REMOTE AREAS) ELECTRIFICATION

Ch Ranil Kumar<sup>1\*</sup>\*Corresponding Author: Ch Ranil Kumar ✉ [chranilkumar149@gmail.com](mailto:chranilkumar149@gmail.com)

This paper deals with the solar PV (Photo Voltaic) and wind turbine produce electrical power by using solar and wind when we are connected with grid or inter connected system we can take power from solar or wind.

Keywords: Pv cell, Wind turbine, Mosfet, Relay circuit, Comparator

## INTRODUCTION

### Solar Power

Renewable energy penetrations are increased in power sector to reduce dependency on fossil fuels (Khaligh and Onar, 2010). Solar PV (Photo-Voltaic) systems are now well recognized for trapping solar energy. Solar energy has the greatest availability compared to other energy sources. It has been estimated that the amount of energy supplied to the earth in one day is sufficient to cater energy needs of the earth of one year (Teodorescu *et al.*, 2011). For such solar PV systems, maximum power point tracking control is preferred for efficient operation (Teulings *et al.*, 1993; Efram and Chapman, 2007; and Villalva *et al.*, 2009). I have presented control system for solar PV system by utilizing steady state power balancing condition at DC link (Matsui *et al.*, 1999). It has further improved by Mikihiko for sensorless application (Mikihiko and De-H,

2001). Integration of PV system with the grid fulfil standard power quality requirements and it have been reported in Shen *et al.* (2012), Verma *et al.* (2012) and Moussa *et al.* (2012). The solar PV system has found many potential applications such as residential, vehicular, space air craft and water pumping system (Lawrance *et al.*, 1995). PV water-pumping is highly competitive compared to traditional energy technologies and best suited for remote site applications.

### Wind Power

Wind power is the use of air flow through wind turbines to mechanically power generators for electric power. Wind power, as an alternative to burning fossil fuels, is plentiful, renewable, widely distributed, clean, produces no greenhouse gas emissions during operation, consumes no water, and uses little land. The net effects on the environment are far less problematic than those of nonrenewable power sources. Wind farms

<sup>1</sup> Department of EEE, Tirumala College of Pharmacy (Integrated Campus), Nizamabad, Telangana, India.

Figure 1: Wind Turbine



consist of many individual wind turbines which are connected to the electric power transmission network. Onshore wind is an inexpensive source of electric power, competitive with or in many places cheaper than coal or gas plants. In all types of wind mills the wind energy is first converted into mechanical energy or rotation of rotor. The rotor

drive a generator is connected when rotor rotates generator generates electrical energy.

### Inverter Working Procedure

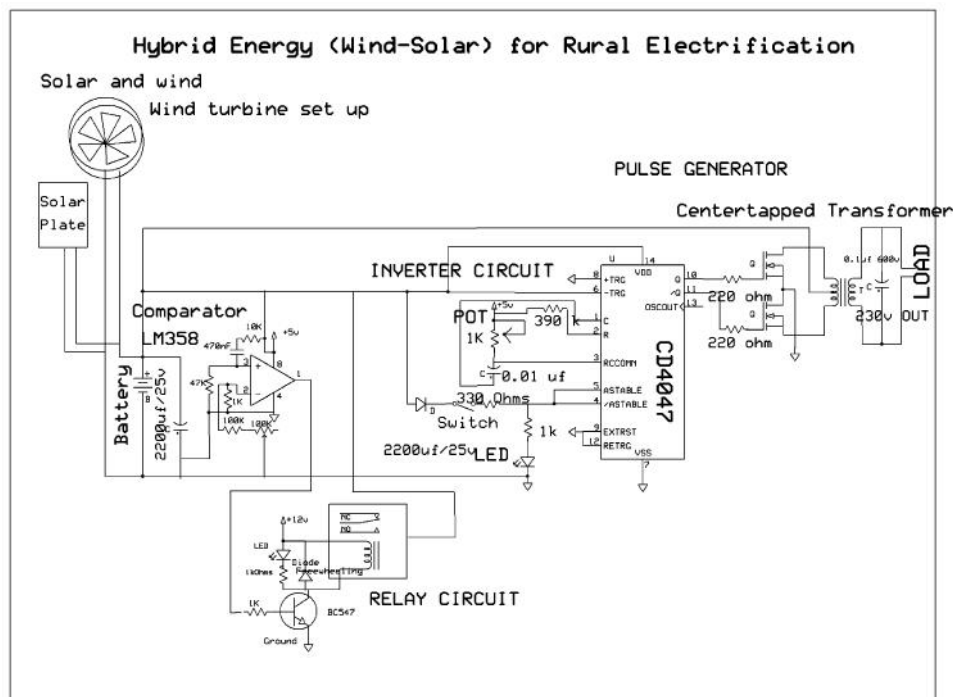
#### Inverter Circuit Using CD 4047

CD 4047 is used for generating the 100 Hz pulses and four 2N3055 transistors for driving the load. The IC1 Cd4047 wired astable multi vibrator produces two 180 degree out of phase 100 Hz pulse trains. These pulse trains are pre amplified by the two TIP122 transistors. The out puts of the TIP 122 transistors are amplified by four 2N3055 transistors (two transistors for each half cycle) to drive the inverter transformer. The 220V AC will be available at the secondary of the transformer.

#### Description

- A 12 V car battery can be used as the 12 V source.

Figure 2: System Configuration and Principle of Operation



Note: Schematic diagram and interfacing of components to IC 1CD4047, DC motor, relay, comparator, Battery, motor, solar are considered.

- Use the POT R1 to set the output frequency to 50 Hz.
- For the transformer get a 12-0-12 V, 10A step down transformer. But here the 12.
- 0-12 V winding will be the primary and 220 V winding will be the secondary.
- For 10A rated transformer, we get a 5A output. But the allowed out put power will be reduced to 60 W. Use a 10 A fuse in series with the battery.
- Mount the IC on a IC holder.

Figure 3: Solar Development Graphs

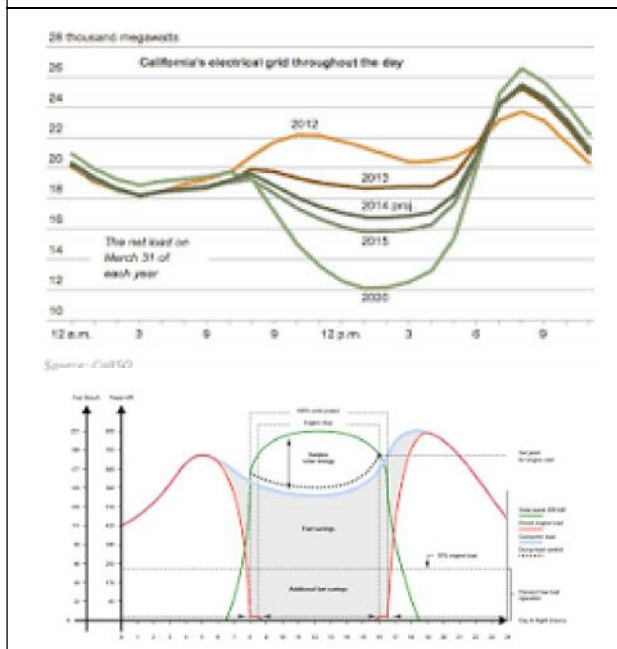


Figure 4: Wind Development Graphs

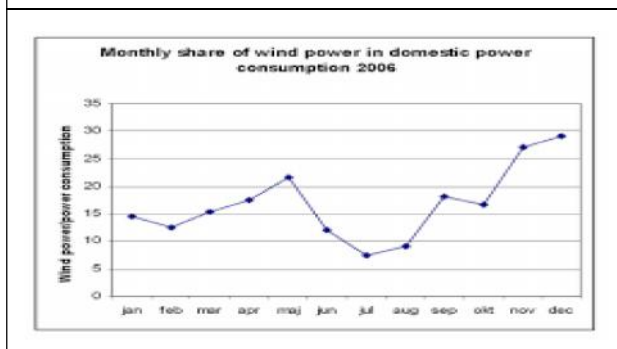
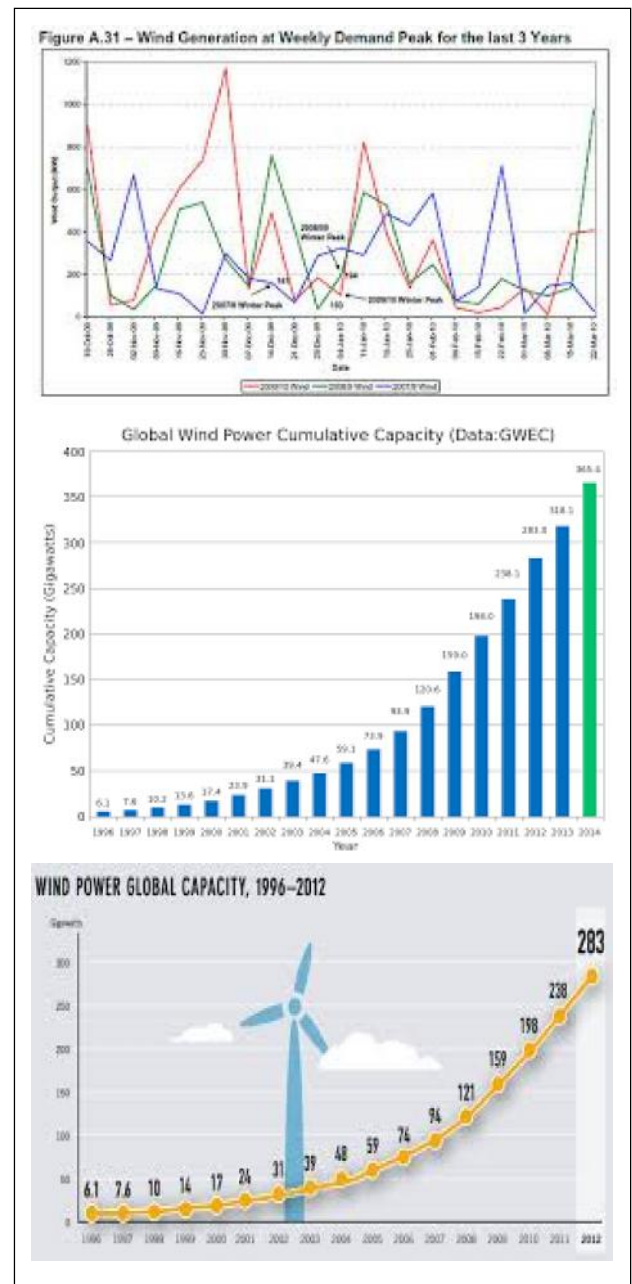


Figure 4 (Cont.)



**Advantages and Disadvantages**

**Advantages**

- This system helps in wind energy generation.
- Storing of Solar energy
- Efficient and low cost design.
- Low power consumption.
- Easy to operate.

**Disadvantages**

1. This system requires periodic monitoring and maintenance.
2. This system fails to work if the load is heavy.

**Applications**

- In industries, streets, etc., which can be practically implemented in real time.
- Agricultural applications, water pump control, fencing control, street light control.
- Houses, etc.,

**RESULTS**

The project "Hybrid Energy (Wind-Solar) for Rural Electrification" was designed such that to deliver power to switch on the loads like water pump. The dynamo uses electromagnetic principles to convert mechanical rotation into Direct Current (DC) using wind energy. The system generates electrical power as non-conventional method by wind energy power using wind turbine set up. We also use solar energy and hydel energy to charge the battery.

**CONCLUSION**

Integrating features of all the hardware components used have been developed in it. Presence of every module has been reasoned out and placed carefully, thus contributing to the best working of the unit. Secondly, using highly advanced IC's with the help of growing technology, the project has been successfully implemented. Thus the project has been successfully designed and tested.

**FUTURE SCOPE**

Our project "Hybrid Energy (Wind-Solar) for Rural Electrification" is mainly intended to design a wind based energy generation system for emergency head lamp applications.

The entire system involves three types of power generations solar, wind based power generation systems. The battery which is used can be recharged with the two generation inputs like solar and wind turbine. From this energy the water pump can be controlled using inverter design. The battery is connected to the inverter. This inverter is used to convert the 12 volt DC to the 230 volt AC. This 230 volt AC voltage is used to activate the loads like water pump.

**REFERENCES**

1. Esram T and Chapman P L (2007), "Comparison of Photovoltaic Array Maximum Power Point Tracking Techniques", *IEEE Trans. Energy Conversion*, Vol. 22, No. 2, pp. 439-449.
2. Khaligh A and Onar O C (2010), *Energy Harvesting Solar, Wind, and Ocean Energy Conversion Systems*, CRC Press, New York.
3. Lawrance W, Wichert B and Langridge D (1995), "Simulation and Performance of a Photovoltaic Pumping System", *Proc. Power Electronics and Drive Systems Conf.*, Vol. 1, February, pp. 513-518.
4. Matsui M, Kitano T, Xu D H and Yang Z Q (1999), "A New Maximum Photovoltaic Power Tracking Control Scheme Based on Power Equilibrium at dc Link", *Proc. IEEE Industry Application Conf.*, Vol. 2, October, pp. 804-809.
5. Mikihiko T K and De-H Xu M (2001), "Power Sensor-Less MPPT Control Scheme Utilizing Power Balance at dc Link-System Design to Ensure Stability and Response", *Proc IEEE IECON Conf.*, December, pp. 1309-1314.

6. Moussa H, Fadel M and Kanaan H (2012), "A Single-Stage DC-AC Boost Topology and Control for Solar PV Systems Supplying a PMSM", in *Proc REDEC Conf.*, November, pp. 1-7.
7. Shen J M, Jou H L and Wu J C (2012), "Novel Transformer Less Grid Connected Power Converter with Negative Grounding for Photovoltaic Generation System", *IEEE Trans. Power Electronics*, Vol. 27, No. 4, pp. 1818-1829.
8. Teodorescu R, Liserre M and Rodriguez P (2011), *Grid Converters for Photovoltaic and Wind Power Systems*, 1<sup>st</sup> Edition, John Wiley, United Kingdom.
9. Teulings W J A, Marpinard J C, Capel A and O'Sullivan D (1993), "A New Maximum Power Point Tracking System", *Proc. IEEE 24<sup>th</sup> Annu. Power Electron. Spec. Conf.*, June, pp. 833-838.
10. Verma A K, Singh B and Shahani T (2012), "Grid Interfaced Solar Photovoltaic Power Generating System with Power Quality Improvement at ac Mains", *Proc IEEE ICSET Conf.*, September, pp. 177-182.
11. Villalva M G, Gazoli J R and Filho E R (2009), "Comprehensive Approach to Modeling and Simulation of Photovoltaic Arrays", *IEEE Trans. Power Electronics*, Vol. 24, No. 5, pp. 1198-1208.



**International Journal of Engineering Research and Science & Technology**

**Hyderabad, INDIA. Ph: +91-09441351700, 09059645577**

**E-mail: [editorijerst@gmail.com](mailto:editorijerst@gmail.com) or [editor@ijerst.com](mailto:editor@ijerst.com)**

**Website: [www.ijerst.com](http://www.ijerst.com)**

